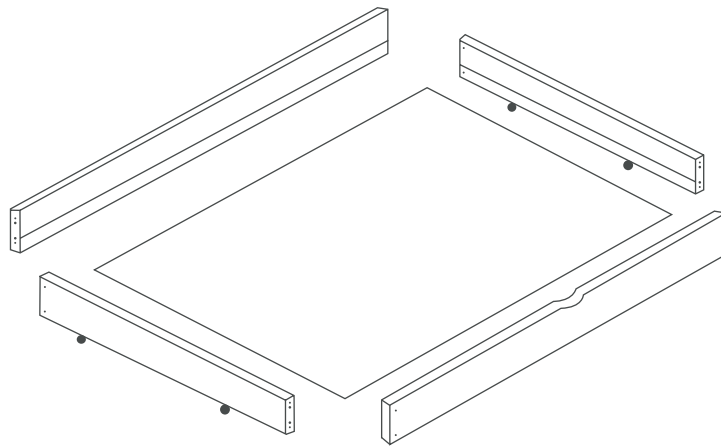


# Assembly Instruction

Small Bed Drawer



ORIGINAL RIMA

## Familienbett

Dear family bed sleepers,

by selecting a product from RIMA GmbH, you have made an excellent decision. It is important that you carefully read and follow the assembly instructions provided to ensure proper use of the product.



**WOOD - A NATURAL PRODUCT**

Wood is a natural material that is affected by the humidity of the surrounding air. With careful maintenance, you will enjoy your family bed for many years.



**CHECKING THE LIST OF PARTS**

Before you start assembling, please check the completeness of the components according to the parts list.



**FINALLY**

Please be aware that we may make technical modifications. We now wish you lots of fun and success assembling your bed and many peaceful nights in your family bed.



**GENERAL INFORMATION:**

Assembly time approx. 30 minutes (1 person)



**SOMETHING DOESN'T WORK?**

*Mistakes happen!*

Although we try very hard, it can happen that something doesn't work out. If items, packages or components are missing or damaged in your delivery, please let us know the item or package number so we can quickly allocate them and send you a replacement without delay.



office@familienbett.at



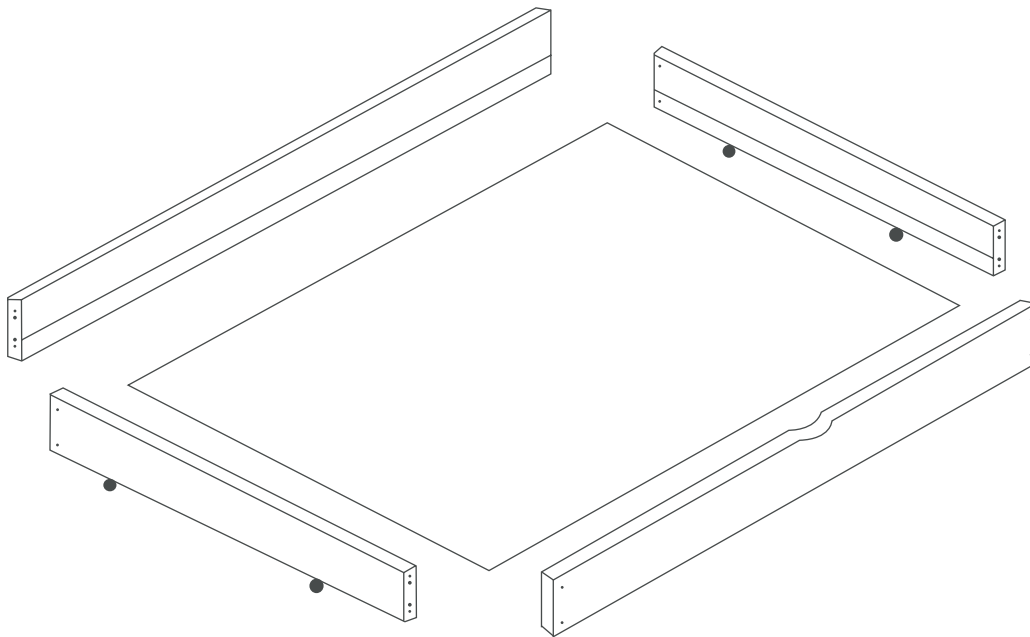
+43(0) 3612 / 250 25



### CHECKING THE LIST OF PARTS

The following wooden elements are included:

- (DE) Paket **1/2** - Bettschubbladerahmen
- (EN) Package **1/2** - drawer frame
- (DE) Paket **2/2** - Bodenplatte
- (EN) Package **2/2** - drawer bottom



### CHECKING THE LIST OF PARTS



### KONTROLLE DER STÜCKLISTE

Enthalten sind folgende Beschläge:

The following fittings are included:



8 - screws



4 - wheels



8 - cover caps



8 - screws



8 - wooden dowels



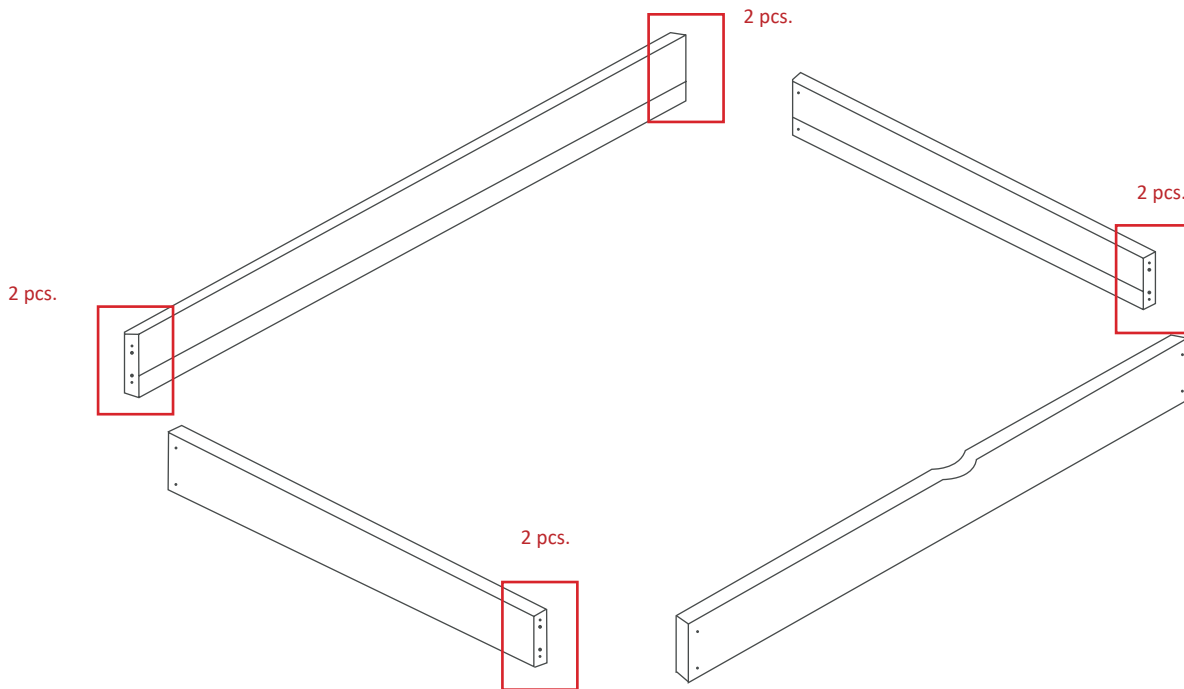
1 - Allen wrench

1

INSERT THE 8 WOODEN DOWELS INTO THE PRE-DRILLED HOLES.

8 - wooden dowels

wooden

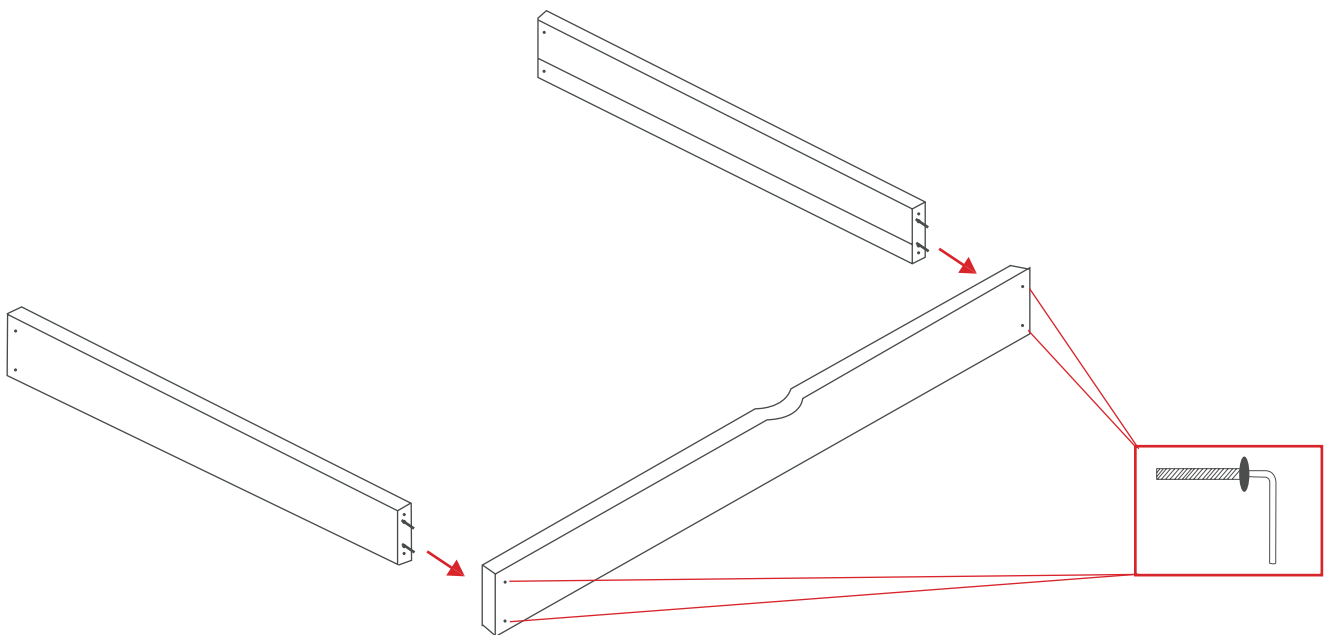


2

START BY CONNECTING THE FRAME.




4 - screws

1 - Allen wrench

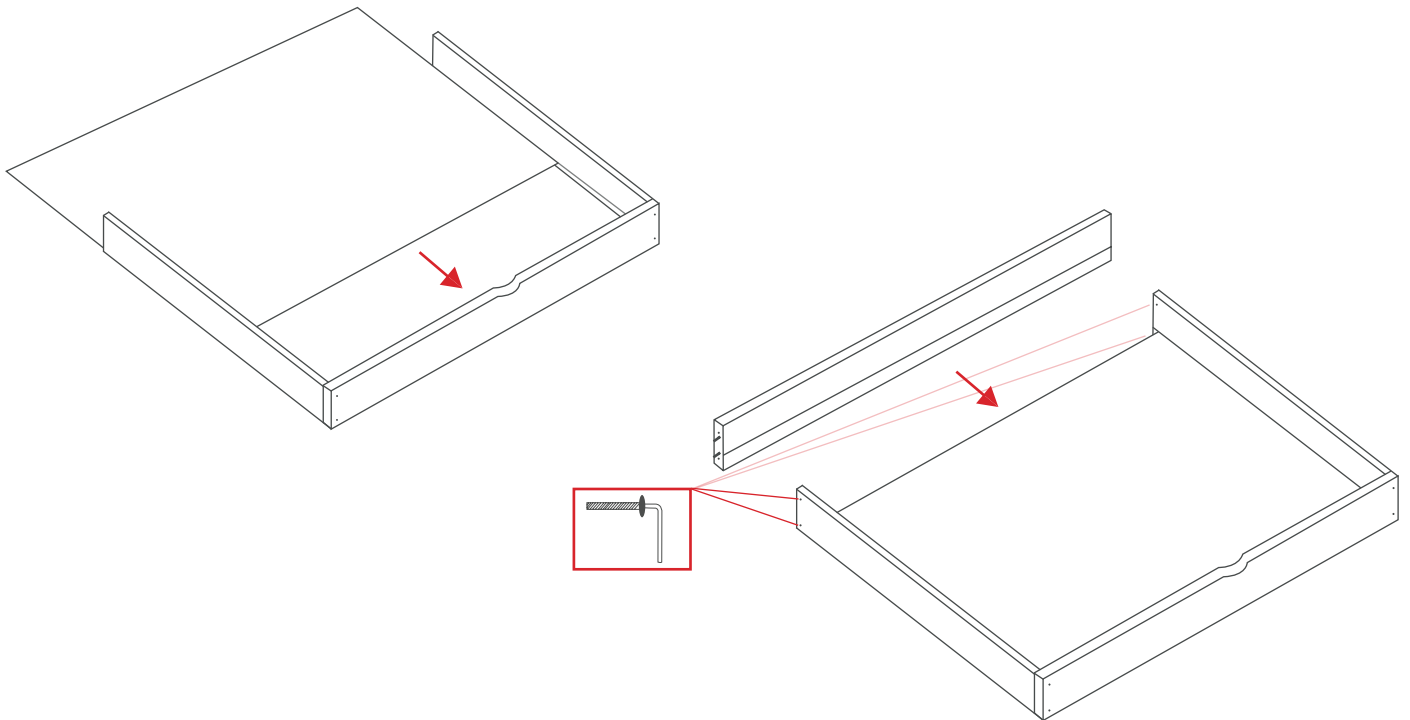


3

PLACE THE BOTTOM INTO THE BACK PANEL AND SECURE IT IN POSITION.

-  4 - screws
-  1 - Allen wrench
-  8 - cover caps



*Next, place the caps onto the screw heads.*



4

ATTACH THE FOUR WHEELS TO THE UNDESIDE OF THE SIDE WALLS USING TWO SCREWS FOR EACH WHEEL.

PANELS

-  4 - wheels
-  8 - screws

