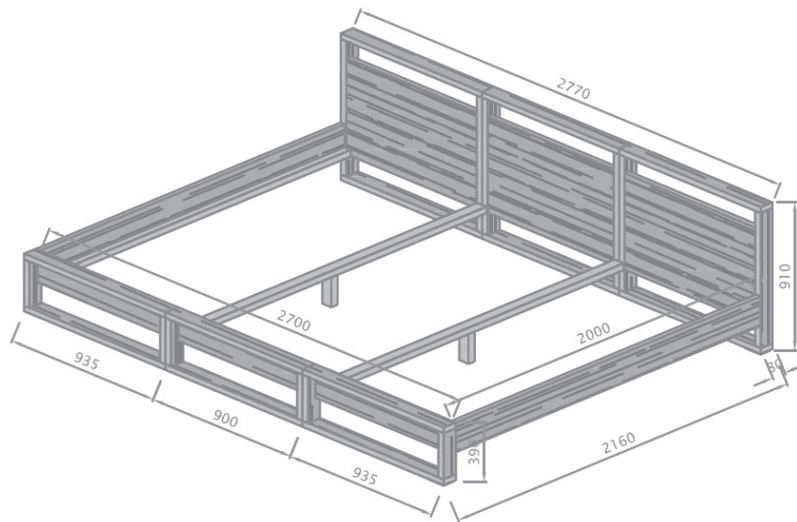


Assembly Instruction

Family Bed BALI



ORIGINAL RIMA

Familienbett

Dear family bed sleepers,

by selecting a product from RIMA GmbH, you have made an excellent decision. It is important that you carefully read and follow the assembly instructions provided to ensure proper use of the product.



WOOD - A NATURAL PRODUCT

Wood is a natural material that is affected by the humidity of the surrounding air. With careful maintenance, you will enjoy your family bed for many years.



CHECKING THE LIST OF PARTS

Before you start assembling, please check the completeness of the components according to the parts list.

There are no metal connecting parts, such as screws or brackets, in this family bed.



FINALLY

Please be aware that we may make technical modifications.

We now wish you lots of fun and success assembling your bed and many peaceful nights in your family bed.



GENERAL INFORMATION:

Assembly time approx. 60 minutes (2 people)

Use the four wooden slats as spacers between the slatted frames. These prevent the slatted frames from slipping.



Mistakes happen!

Although we try very hard, it can happen that something doesn't work out.

If items, packages or components are missing or damaged in your delivery, please let us know the item or package number so we can quickly allocate them and send you a replacement without delay.



office@familienbett.at



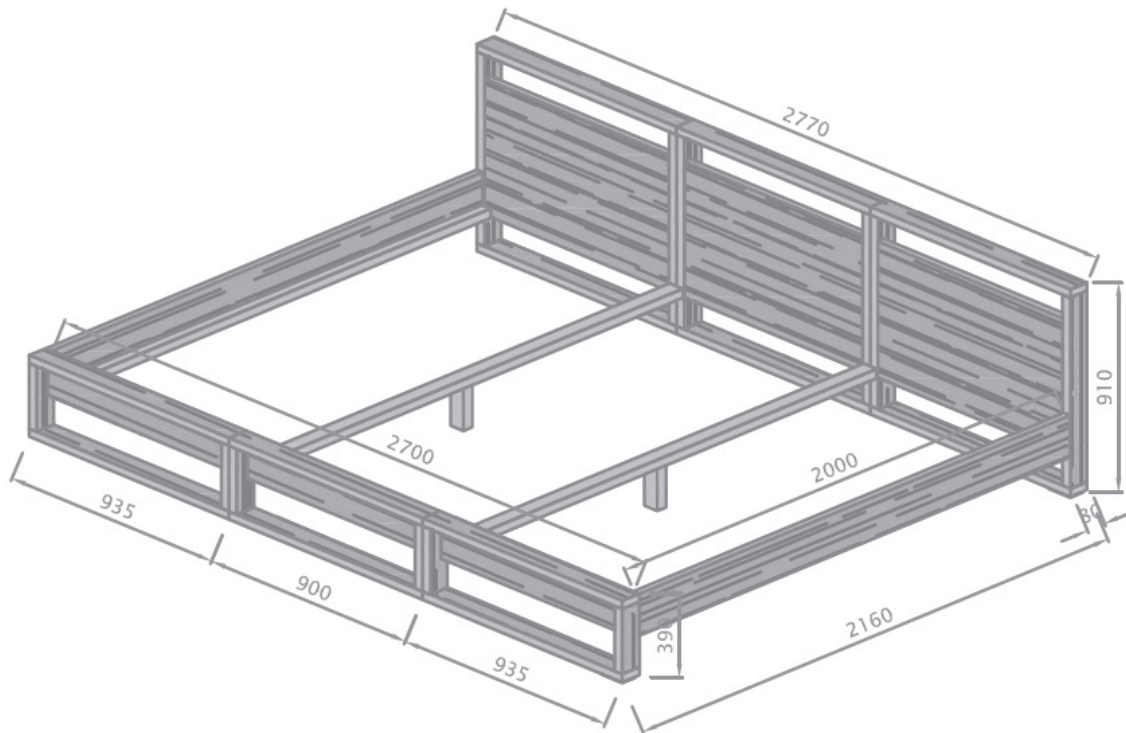
+43(0) 3612 / 250 25



CHECKING THE LIST OF PARTS



The following wooden elements are included:

- (DE) Paket **1/5** - linkes Kopf- und Fußteil
(EN) Package **1/5** - left headboard and footboard
- (DE) Paket **2/5** - mittleres Kopf- und Fußteil
(EN) Package **2/5** - middle headboard and footboard
- (DE) Paket **3/5** - rechtes Kopf- und Fußteil
(EN) Package **3/5** - right headboard and footboard
- (DE) Paket **4/5** - Seitenteile
(EN) Package **4/5** - bedrails
- (DE) Paket **5/5** - Lattenrostauflagen + Beschläge
(EN) Package **5/5** - slatted base supports



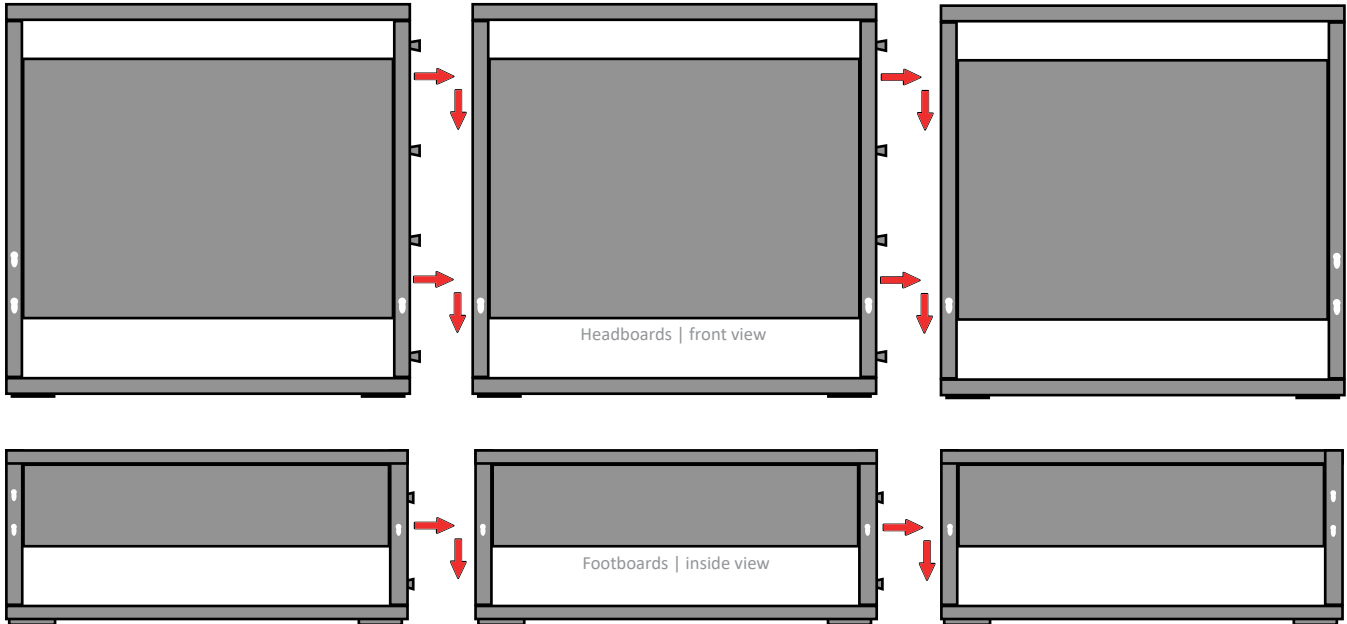
CHECKING THE LIST OF PARTS

The following wooden elements are included:

-  4 - wooden dowels
-  4 - spacers (wooden strips)
*Reference on page 2

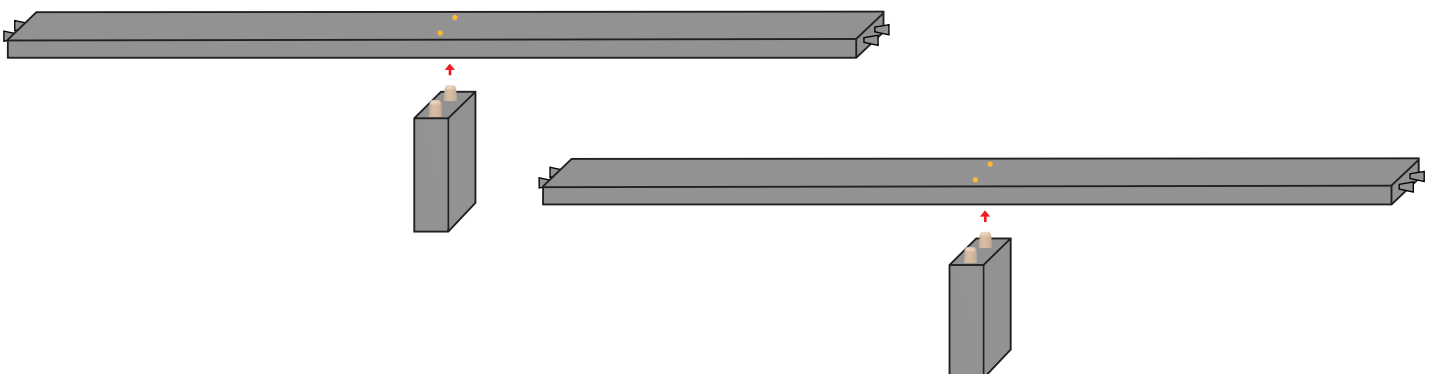
1 START BY CONNECTING THE HEADBOARDS AND FOOTBOARDS

To assemble the headboards, begin by aligning the parts and ensuring that their upper edges are of the same height. Since the burr grooves are slightly conical, the burr dowels may be challenging to wedge into them firmly. However, you can use a rubber mallet with care to assist in the process.

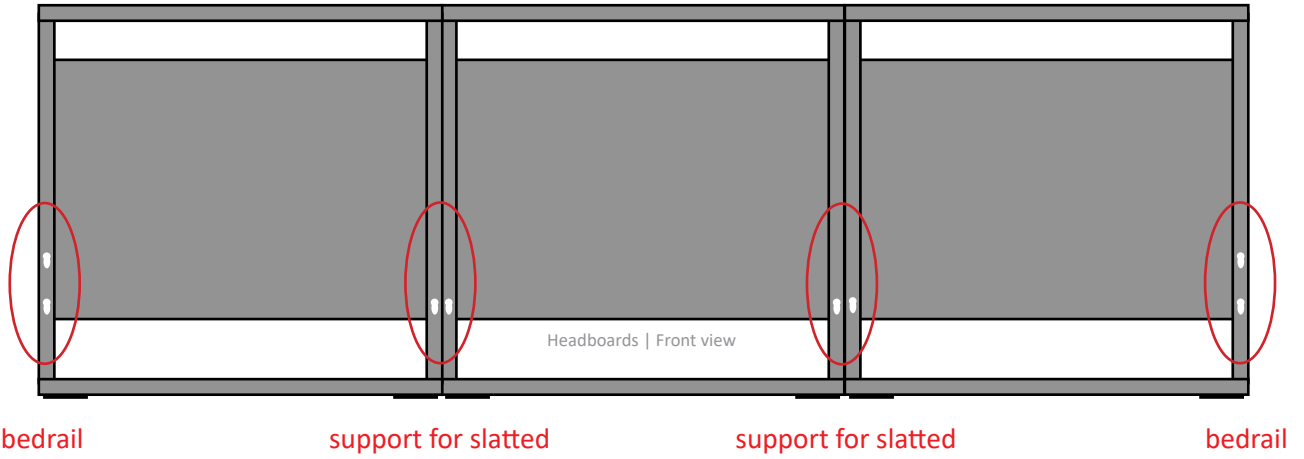


2 NOW THE SUPPORTS FOR THE SLATTED FRAMES AND SIDE PARTS ARE ATTACHED TO THE FAMILY BED.

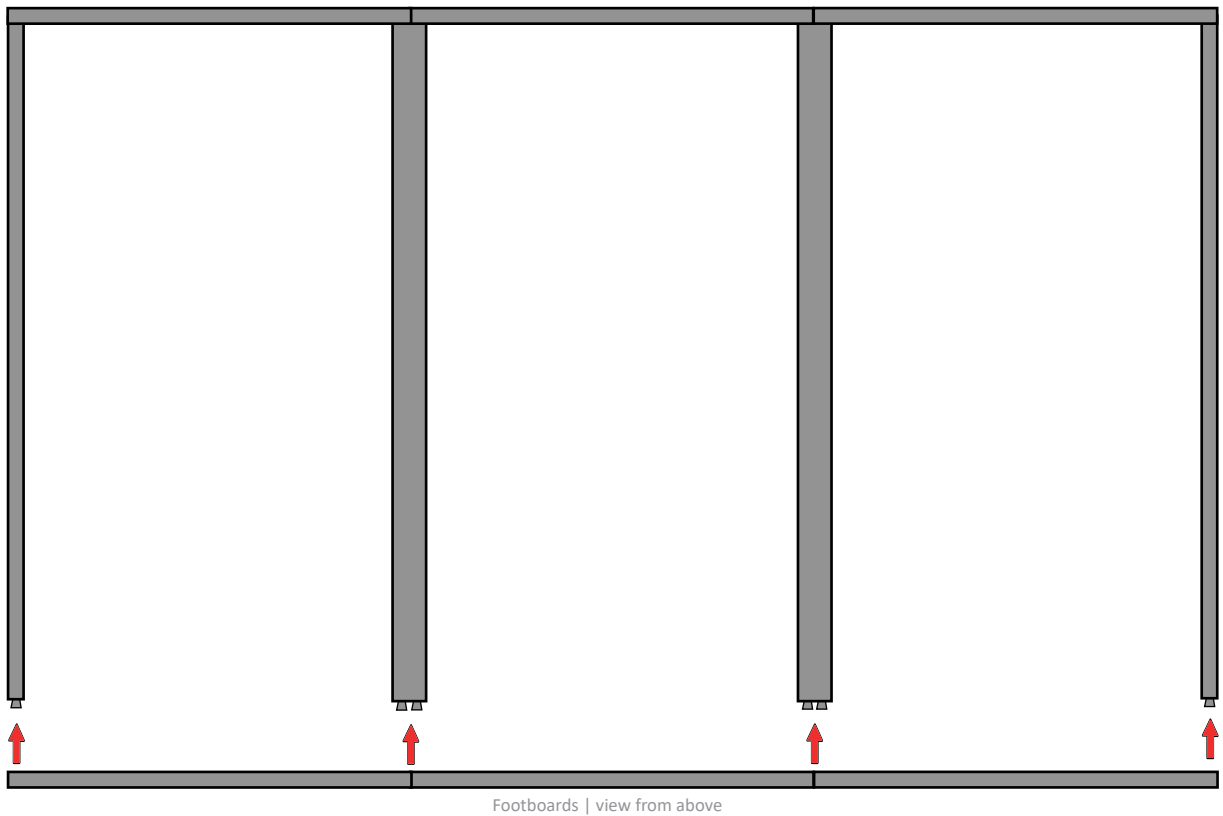
First mount the feet to the support with two wooden dowels each.



Then first attach supports and the two bedrails to the headboards.



2 FINALLY THE FOOTBOARDS ARE CONNECTED TO THE FAMILY BED.



YOU DID IT!
Congratulations on setting up your RIMA family bed! Now you can enjoy peaceful nights with your loved ones.

FLEXIBLE MODULAR CONSTRUCTION

[Conversion to a Double Bed:](#)

Remove the middle headboard, footboard, and slatted base if you want to turn your family bed into a double bed. All you need is the Allen key from the assembly set and a small screwdriver (if needed). No extra wooden parts or fittings are necessary for this conversion.

FLEXIBLE MODULAR CONSTRUCTION

[Conversion to a Single Bed:](#)

To create a single bed from your family bed, you will require the middle headboard and footboard and a „conversion set to single bed“ available on our online shop under Family beds/Conversion set. The conversion set has 2 side panels, 4 add-on slats, and fittings.

FLEXIBLE MODULAR CONSTRUCTION

[Extend the Family Bed by 90cm:](#)

You can make your family bed bigger by extending it. With a quick attachment, you create more space for your family.

PLEASE NOTE

Our family business is constantly evolving and responding promptly to our customers' needs. We value our customers' feedback and have incorporated many suggestions to improve the design and flexibility of our family beds. While we strive to provide the best service possible, we cannot offer an unlimited guarantee for replacement parts once a bed has been purchased from us.

w w w . f a m i l i e n b e t t . a t