

ASSEMBLY INSTRUCTIONS

Family bed SAMOS



ORIGINAL RIMA

Familienbett

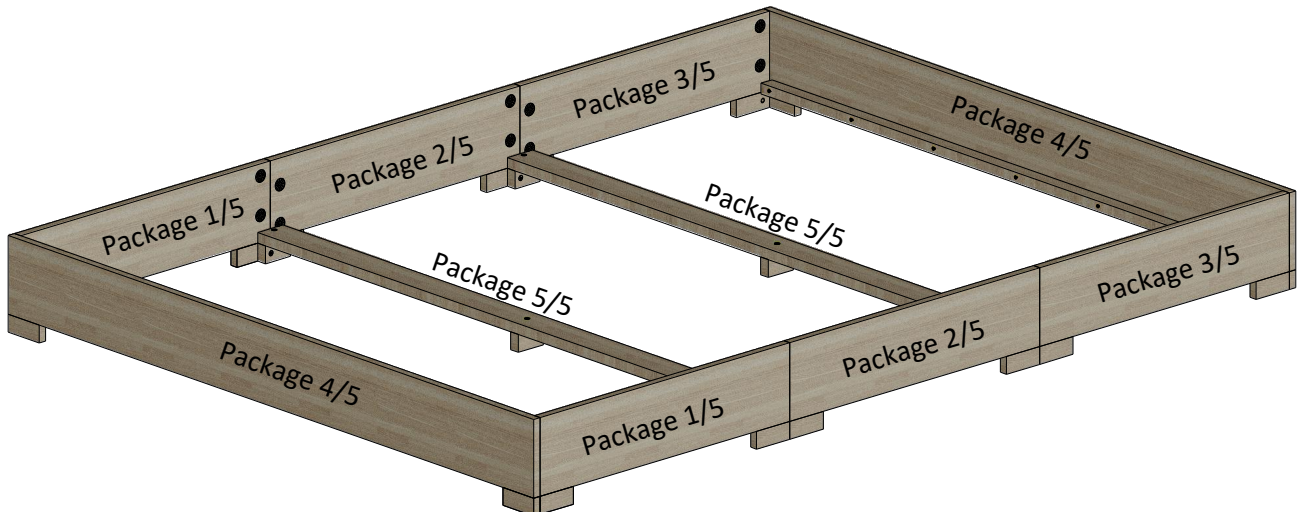
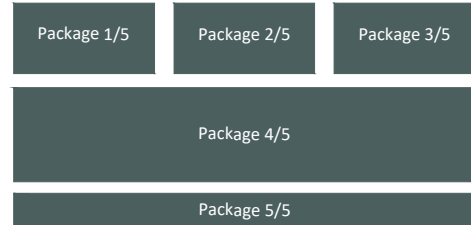
Family bed SAMOS without Backrest



CONTROL OF THE PARTS LIST

The following wooden elements are included:

- Package **1/5** - Left end panels
- Package **2/5** - Middle end panels
- Package **3/5** - Right end panels
- Package **4/5** - Side panels
- Package **5/5** - Center support rail + hardware



CONTROL OF THE PARTS LIST

The following hardware are included:



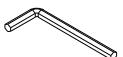
24 - Connector housing (A)



24 - Connecting bolt (B)



12 - Wooden dowel $\varnothing 8 \times 35$ (C)



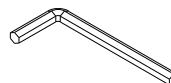
1 - Allan key for flat head screw (G)



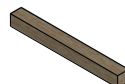
8 - Flat head screw (D)



6 - Threaded countersunk screw, cross slot (H)



1 - Allan key for connector housing (E)



4 - Spacer (wooden strips)

*As a spacer between the slatted frames. These prevent the slatted frames from slipping.

Family bed SAMOS with Backrest

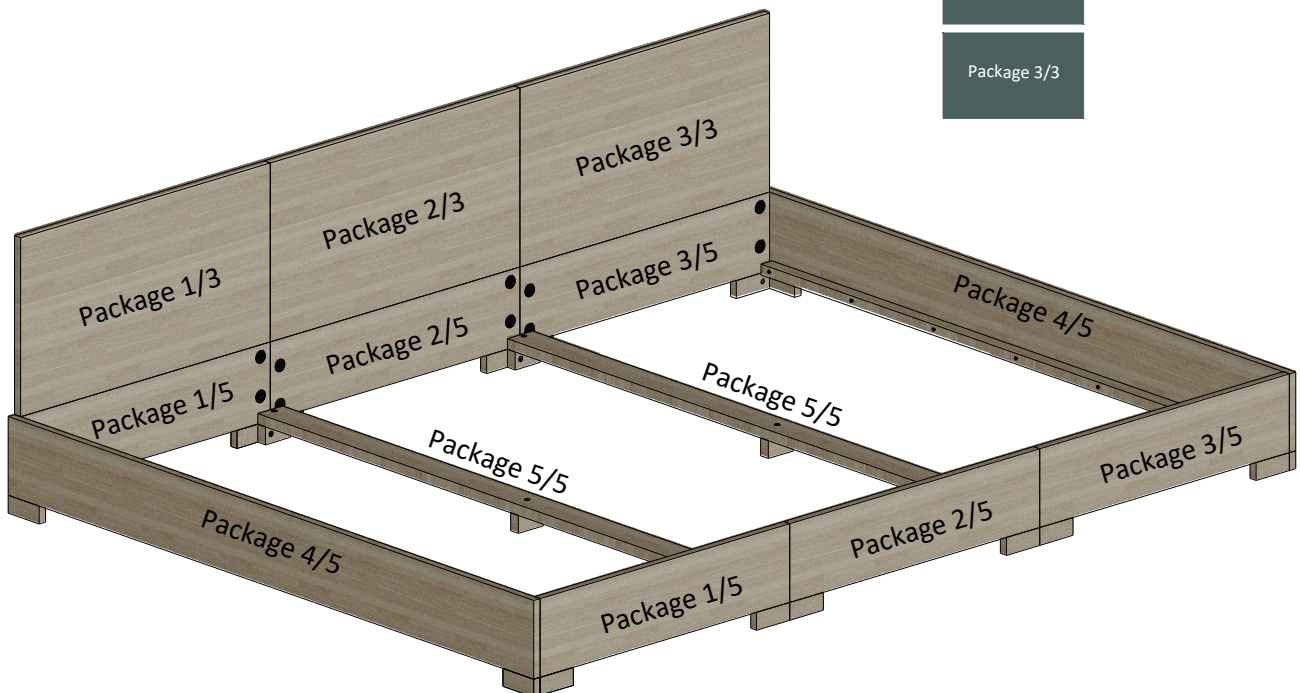
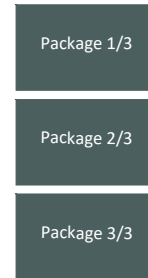
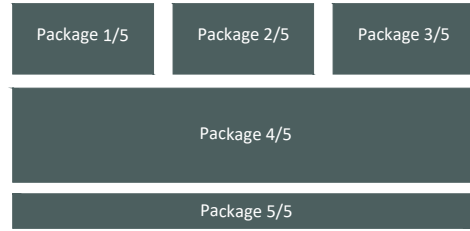


CONTROL OF THE PARTS LIST

The following wooden elements are included:

- Package 1/5 - Left end panels
- Package 2/5 - Middle end panels
- Package 3/5 - Right end panels
- Package 4/5 - Side panels
- Package 5/5 - Center support rail + hardware

- Package 1/3 - Backrest + 2x long rails
- Package 2/3 - Backrest + 2x long rails + 1x short
- Package 3/3 - Backrest + 2x long rails + 1x short + hardware



CONTROL OF THE PARTS LIST BED FRAME

The following hardware are included:



24 - Connector housing (A)



24 - Connecting bolt (B)



12 - Wooden dowel Ø8x35 (C)



1 - Allan key for flat head screw (G)



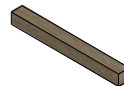
8 - Flat head screw (D)



6 - Threaded countersunk screw, cross slot (H)



1 - Allan key for connector housing (E)



4 - Spacer (wooden strips)

*As a spacer between the slatted frames. These prevent the slatted frames from slipping.



CONTROL OF THE PARTS LIST BACKREST

The following hardware are included:



50 - Flat head screw (F)



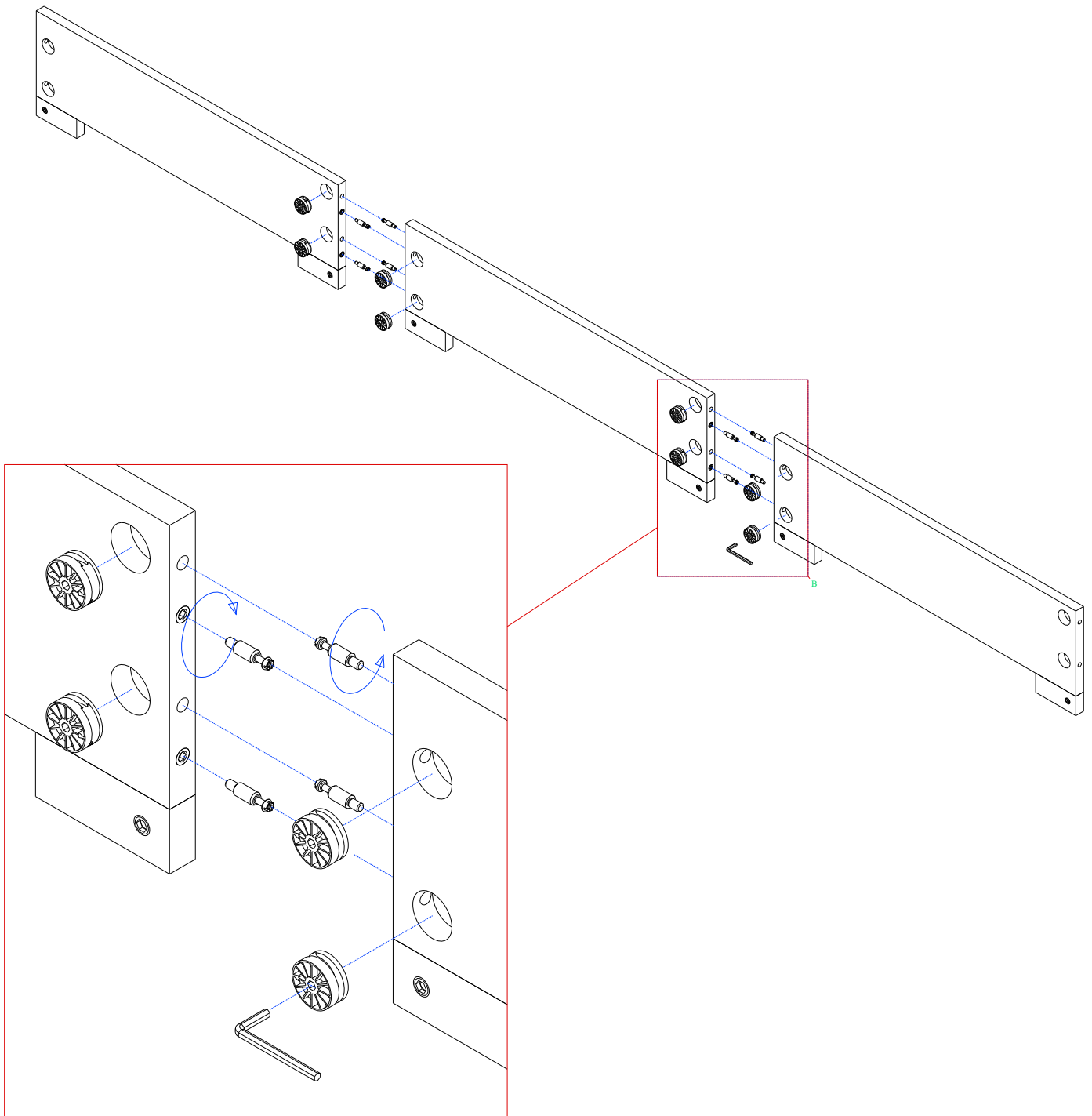
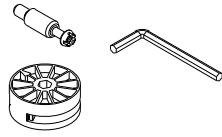
1 - Allan key for flat head screw (G)



START BY CONNECTING THE PARTS OF HEADBOARD AND FOOTBOARD

Screw the 16 Connecting bolts (B) into the threaded bushings.

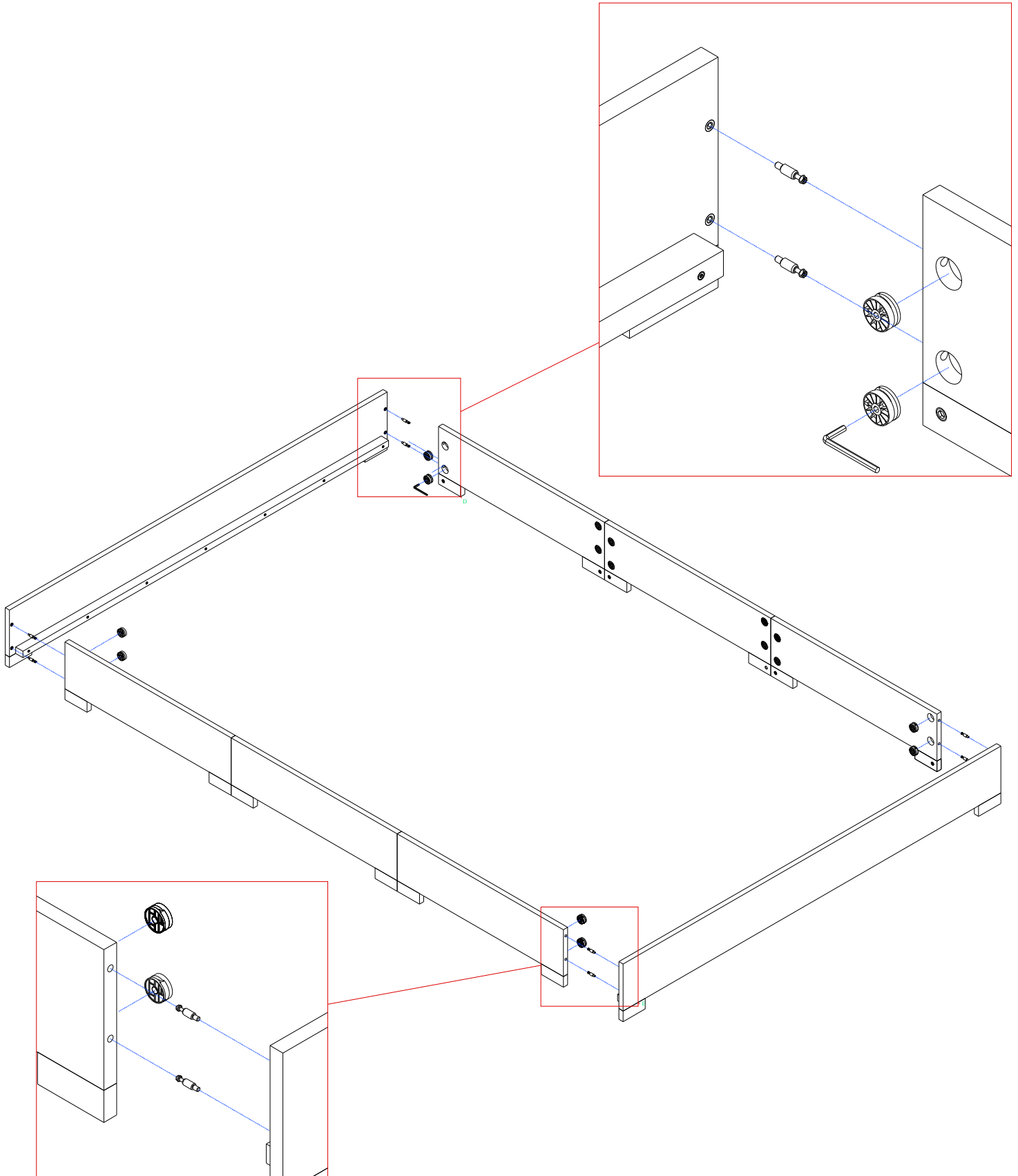
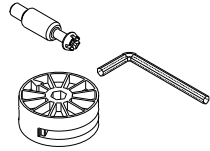
Insert the 16 Connector housings (A) into the holes. The arrow on the Connector housing must be aligned with the hole so that the Connecting bolt can grip.



2

ATTACH SIDE PANELS TO THE HEADBOARD AND FOOTBOARD

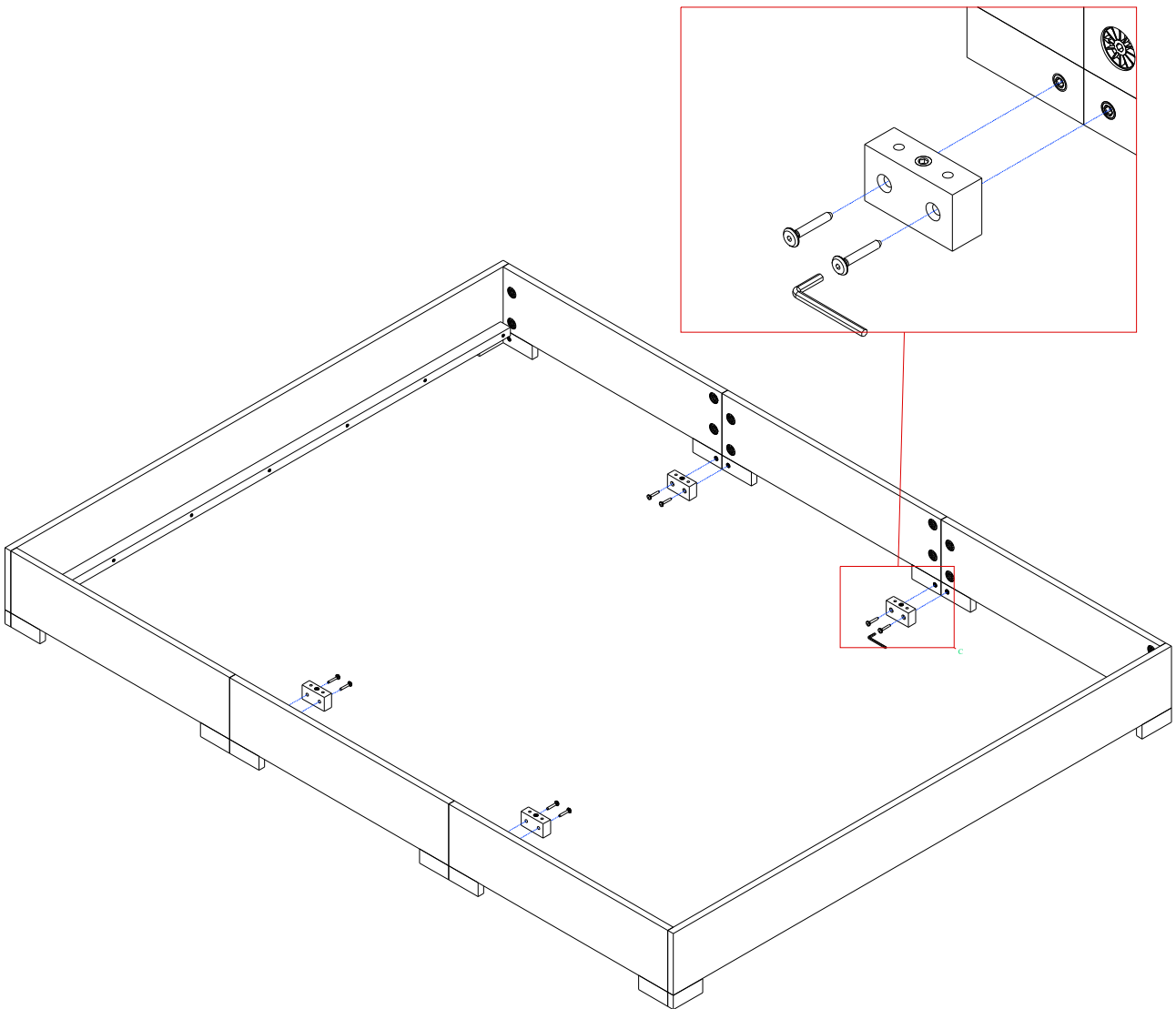
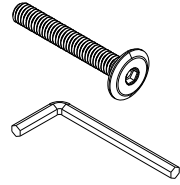
Screw the 8 Connecting bolts (B) into the threaded bushings.
Insert the 8 Connector housings (A) into the holes. The arrow on the Connector housing must be aligned with the hole so that the Connecting bolts can grip.



3

ATTACH THE SIDE LEGS OF THE CENTER SUPPORT RAIL TO THE BED CORPUS

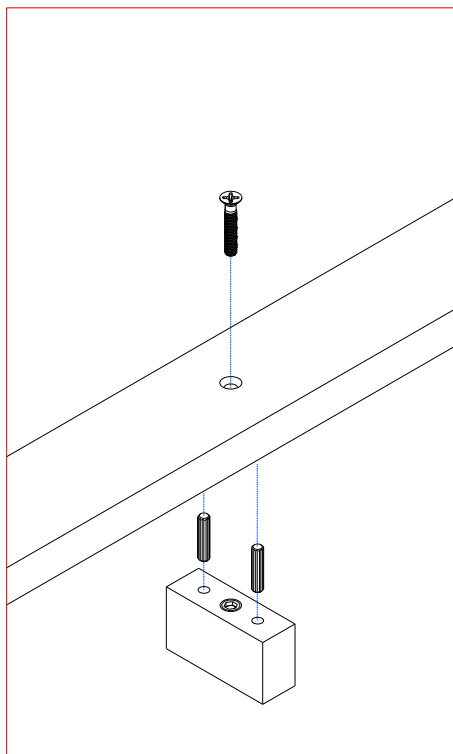
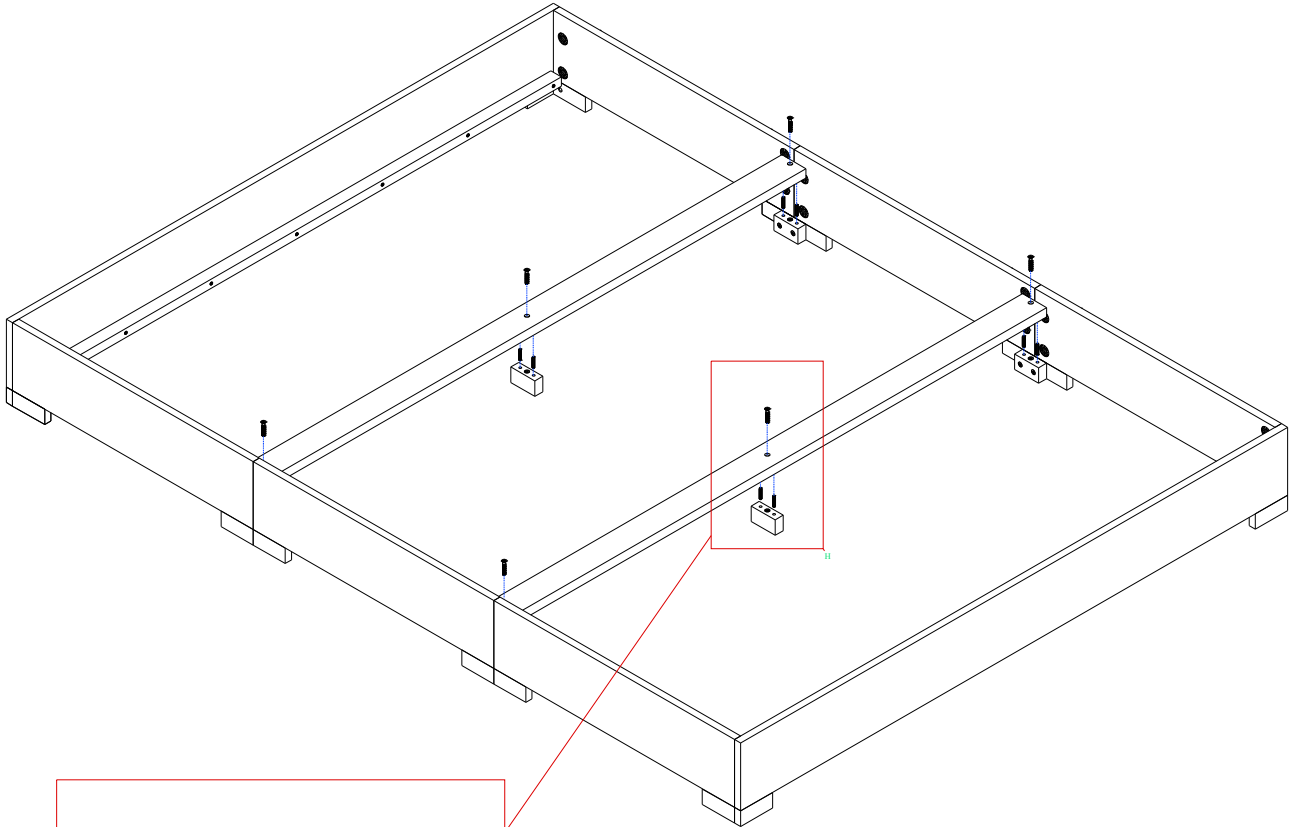
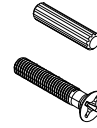
Attach the side legs of the center support rail to the bed corpus with 8 flat head screws (D).



4

CONNECT THE CENTER SUPPORT RAILS TO THE LEGS

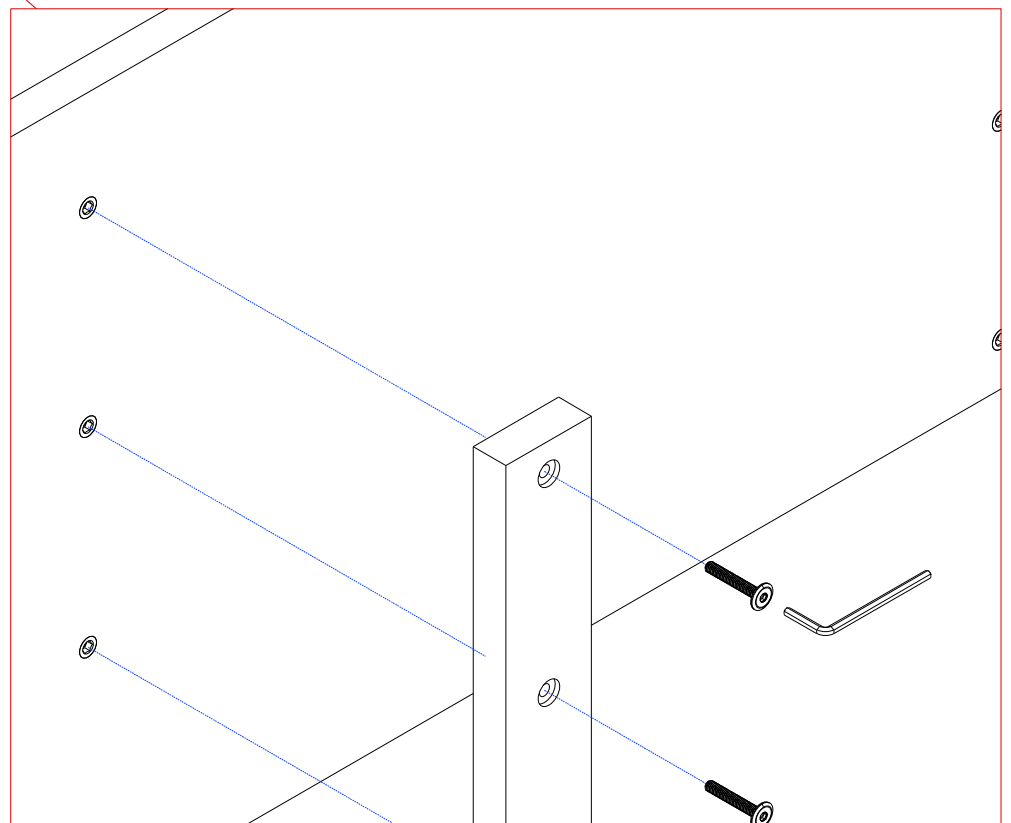
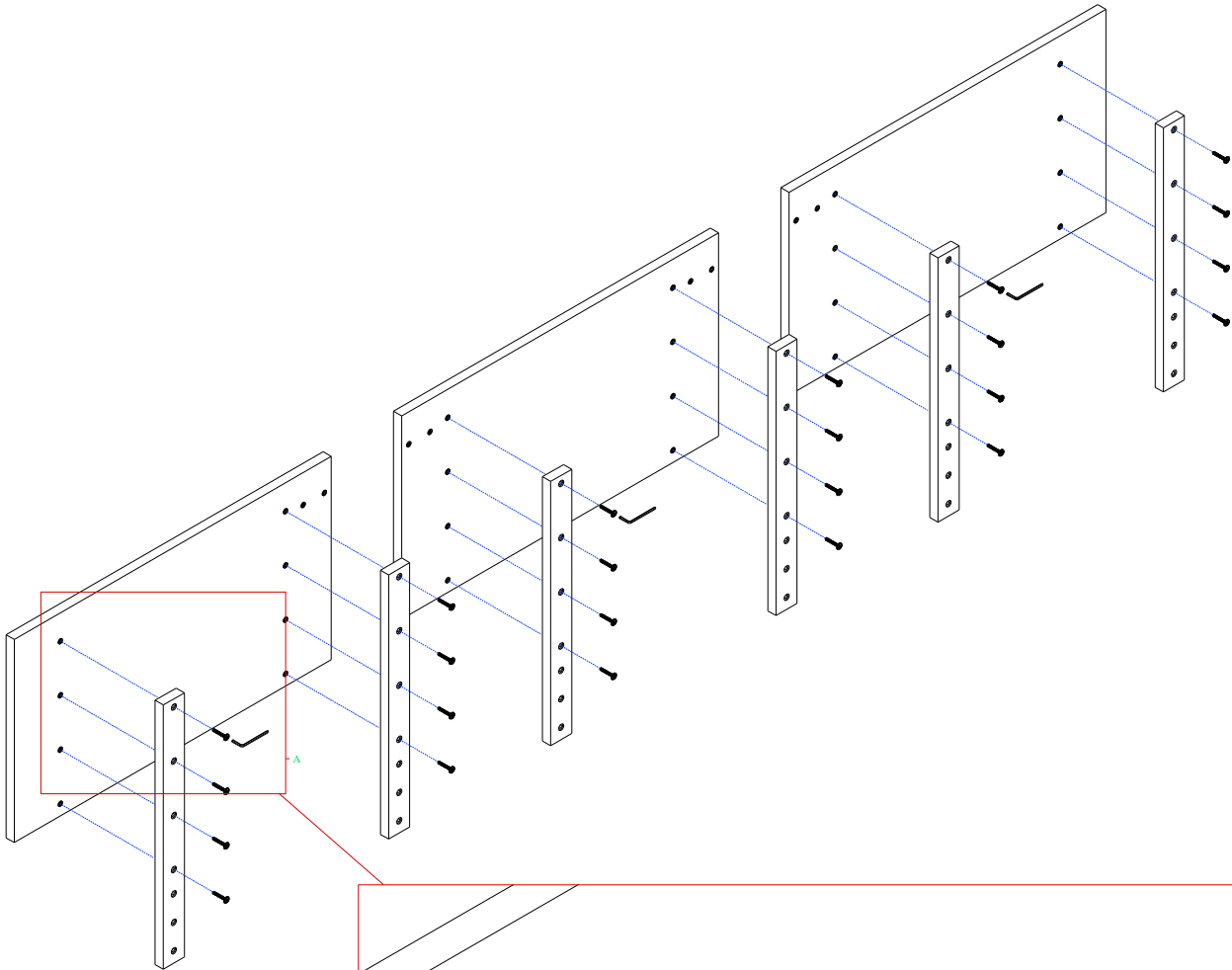
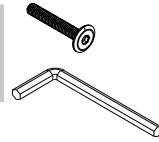
Connect the center support rails to the legs using 12 wooden dowels and 6 threaded countersunk screws



5

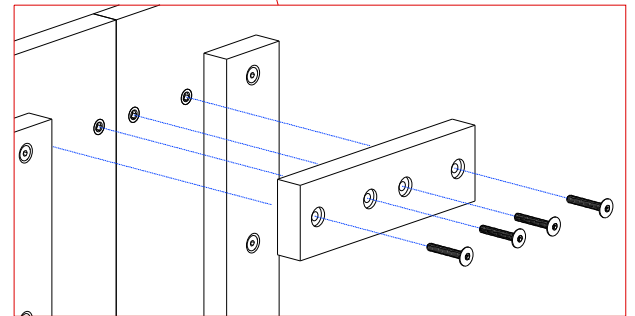
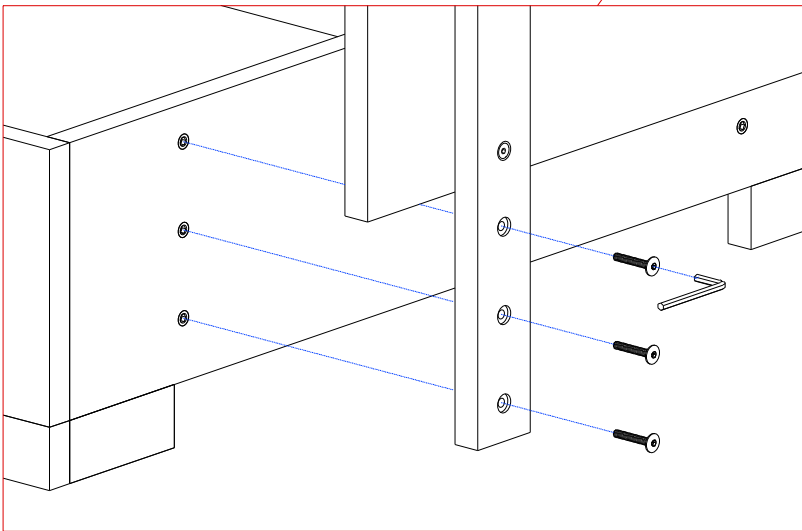
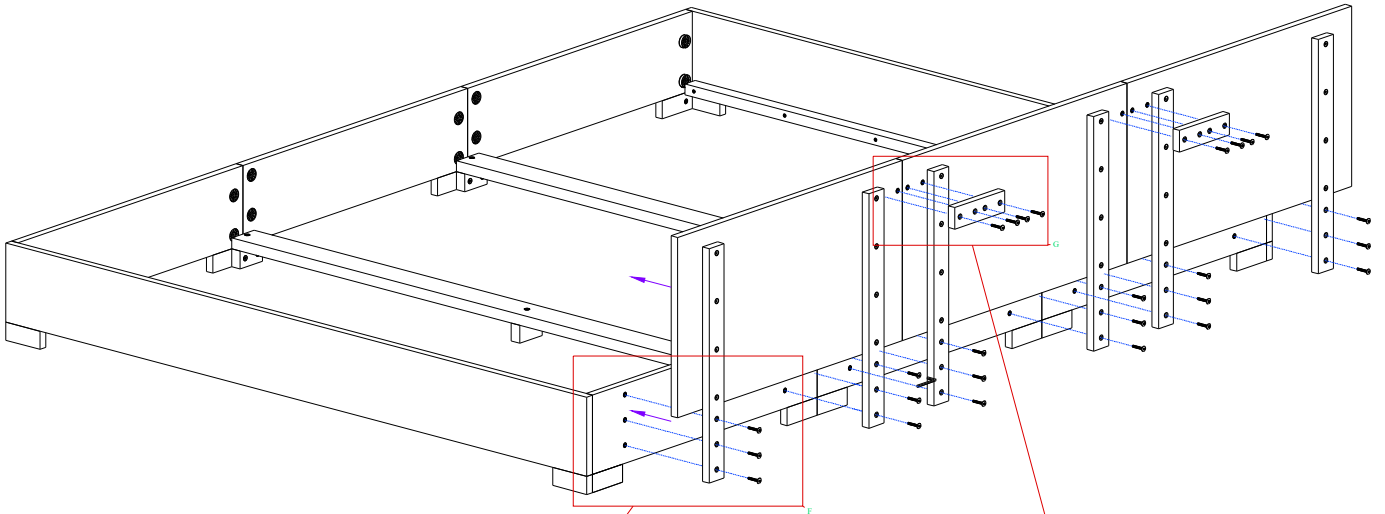
CONNECT THE LONG RAILS TO THE BACKREST

Connect the two long connecting rails on each backrest with 8 flat head screws (F) respectively.



6

INSTALL BACKRESTS TO THE FAMILY BED



Fasten the 2 short connecting rails to the backrests with 4 flat head screws (F) each.

Attach each backrest to the family bed using 6 flat head screws respectively (F).